

# Differential pressure gauge

## For the process industry, all-metal media chamber

### Models 732.14, 733.14, 762.14 and 763.14

WIKA data sheet PM 07.13



For further approvals,  
see page 8

#### Applications

- For gaseous and liquid aggressive media that are not highly viscous or crystallising, also in aggressive environments
- Pump monitoring and control
- Filter monitoring
- Level measurement on closed vessels

#### Special features

- Differential pressure measuring ranges from -1 ... +30 bar [-14.5 ... 435 psi] to 0 ... 40 bar [0 ... 580 psi]
- High working pressure (static pressure) and high overload safety, selectable 40 bar [580 psi], 100 bar [1,450 psi], 250 bar [3,625 psi], 400 bar [5,800 psi] and 650 bar [9,425 psi]
- The transmission fluid in the measuring chamber dampens the indicator in case of high changes of the rate of pressure
- Model 76x.14: Monel version
- QR code on dial links to instrument-specific information

#### Description

These differential pressure gauges are made of highly corrosion-resistant stainless steel. A high overload safety is achieved by the all-metal construction and the close-fitting design of the diaphragm measuring element.

The use of high-quality stainless steel materials and the robust design are geared to applications in the chemical and process engineering industries. Thus the instrument is suitable for liquid and gaseous media, also in aggressive environments.



Differential pressure gauge model 732.14

Configurator



Standard articles

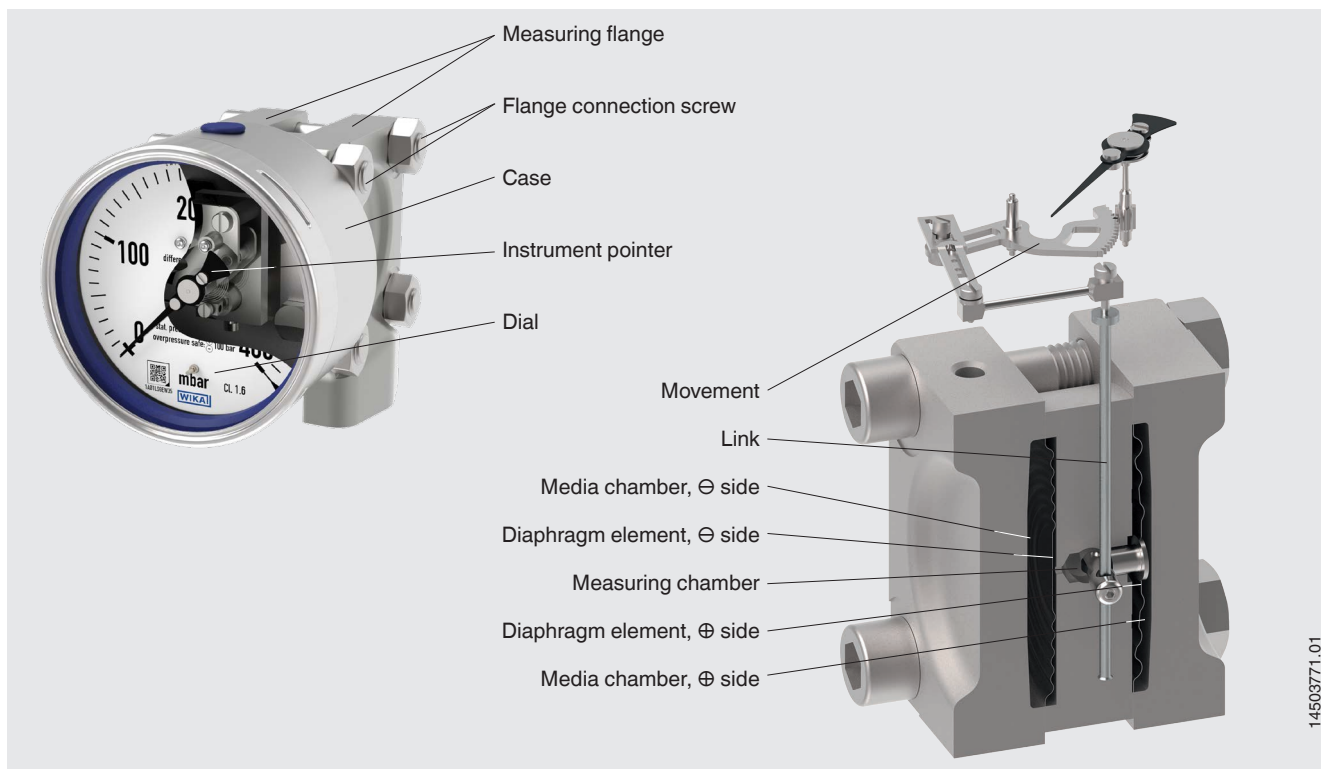


The wetted parts for these instruments are also available in special materials such as Monel or Hastelloy.

Scale ranges of 0 ... 60 mbar to 0 ... 40 bar [0 ... 0.87 to 0 ... 580 psi] ensure the measuring ranges required for a wide variety of applications.

The QR code on the dial allows instrument-specific information such as the serial number, the order number, certificates and other product data to be retrieved from the internet easily and in the long term.

## Functionality



### Design and operating principle

- Pressures  $p_1$  and  $p_2$  act on the  $\oplus$  and  $\ominus$  sides of the measuring chamber.
- The media chambers are separated from the transmission fluid-filled measuring chamber by one diaphragm element each.
- The pressure difference between  $\oplus$  and  $\ominus$  sides deflects the diaphragm of the  $\oplus$  side and displaces the transmission fluid.
- The deflection is transmitted to the movement via the link.
- The movement converts the deflection into a pointer rotation.

### Overload safety

Through load take-up points with metallic seating for the diaphragm elements, the instrument can withstand extremely high working pressures with pressure ratings of PN 40 ... PN 650 (40 ... 650 bar [580 ... 9,425 psi]).

### Overview of versions

Model	Material of wetted parts		With case filling
	<ul style="list-style-type: none"> <li>• Stainless steel 316L</li> <li>• Stainless steel 316L + NiCr alloy (Inconel)</li> <li>• Hastelloy C276</li> </ul>	<ul style="list-style-type: none"> <li>• Monel 2.4360</li> <li>• Monel 2.4360 + Hastelloy C276</li> </ul>	
732.14	x		
733.14	x		x
762.14		x	
763.14		x	x

The above-mentioned versions can, optionally, be ordered with Ex approval.

→ For approvals and certificates, see page 8

# Specifications

Basic information	
<b>Standard</b>	
EN 837-3	Diaphragm and capsule pressure gauges
DIN 16003	Pressure measuring instruments for differential pressure
→ For information on the "Selection, installation, handling and operation of pressure gauges", see Technical information IN 00.05.	
<b>Nominal size (NS)</b>	<ul style="list-style-type: none"> <li>■ Ø 100 mm [4"]</li> <li>■ Ø 160 mm [6"]</li> </ul>
<b>Window</b>	<ul style="list-style-type: none"> <li>■ Laminated safety glass</li> <li>■ Polycarbonate</li> </ul>
<b>Connection location</b>	Lower mount (radial) Other connection locations on request
<b>Case</b>	
Design	Safety level "S1" per EN 837-1: with blow-out device
Material	Stainless steel 1.4404 (316L) Stainless steel 1.4571 (316Ti)
<b>Case filling</b>	<ul style="list-style-type: none"> <li>■ Without</li> <li>■ Glycerine-water mixture</li> <li>■ Silicone oil</li> </ul> Instruments with case filling with compensating valve to vent case.
<b>Venting of the media chambers</b>	
Span ≤ 0.25 bar [3.63 psi]	With venting
Span > 0.25 bar [3.63 psi]	<ul style="list-style-type: none"> <li>■ Without</li> <li>■ With venting</li> </ul>
<b>Movement</b>	Stainless steel

1) Ingress protection IP65 for instruments with case filling

Measuring element		
<b>Type of measuring element</b>	2 diaphragm elements with transmission fluid	
<b>Material</b>		
Diaphragm element, model 732.14 and 733.14	Span ≤ 0.25 bar [3.63 psi]	<ul style="list-style-type: none"> <li>■ Stainless steel 316L</li> <li>■ Hastelloy C276</li> </ul>
	Span > 0.25 bar [3.63 psi]	<ul style="list-style-type: none"> <li>■ Stainless steel 316L / NiCr alloy (Inconel)</li> <li>■ Hastelloy C276</li> </ul>
Diaphragm element, model 762.14 and 763.14	<ul style="list-style-type: none"> <li>■ Monel 2.4360</li> <li>■ Hastelloy C276 <sup>1)</sup></li> </ul>	

1) Requirement for design per NACE MR0175 / ISO 15156

Accuracy specifications	
<b>Accuracy class</b>	<ul style="list-style-type: none"> <li>■ 1.6</li> <li>■ 2.5</li> <li>■ 1.0 (application test required)</li> </ul>
<b>Zero point setting</b>	
Instruments with case filling	<ul style="list-style-type: none"> <li>■ Without</li> <li>■ External setting</li> </ul>
Instruments without case filling	<ul style="list-style-type: none"> <li>■ Without</li> <li>■ Setting by means of adjustable pointer</li> </ul>
<b>Influence of static pressure</b>	Depending on scale range and pressure rating → See separate table

Accuracy specifications	
Temperature error	On deviation from the reference conditions at the measuring system: ≤ ±0.5 % per 10 °C [≤ ±0.5 % per 18 °F] of full scale value
Reference conditions	
Ambient temperature	+20 °C [+68 °F]

### Static pressure influence

Span <sup>1)</sup>	Measuring deviation based on the static pressure in % per 10 bar <sup>2) 3)</sup>				
	PN 40	PN 100	PN 250	PN 400	PN 650
0.06 ... 0.16 bar [0.9 ... 2.3 psi]	≤ ±0.125	≤ ±0.1	≤ ±0.12	-	-
0.25 bar [3.6 psi]	≤ ±0.125	≤ ±0.15	-	-	-
0.4 bar [5.8 psi]	≤ ±0.125	≤ ±0.1	≤ ±0.1	-	-
0.6 ... 40 bar [8.7 ... 580 psi]	≤ ±0.125	≤ ±0.1	≤ ±0.06	≤ ±0.063	≤ ±0.038

1) Values for customer-specific spans are defined after an application-specific test

2) Other measuring deviations for special material Monel or Hastelloy possible

3) Definition static pressure influence per DIN 16003

### Scale ranges

mbar	
0 ... 60	0 ... 1,000
0 ... 100	0 ... 1,100
0 ... 160	0 ... 1,200
0 ... 250	0 ... 1,600
0 ... 400	0 ... 2,500
0 ... 600	-

psi	
0 ... 10	0 ... 200
0 ... 15	0 ... 250
0 ... 30	0 ... 300
0 ... 60	0 ... 400
0 ... 100	0 ... 500
0 ... 150	0 ... 600
0 ... 160	-

bar	
0 ... 0.25	0 ... 7
0 ... 0.4	0 ... 10
0 ... 0.6	0 ... 14
0 ... 1	0 ... 16
0 ... 1.6	0 ... 20
0 ... 2.5	0 ... 25
0 ... 4	0 ... 30
0 ... 6	0 ... 40

kPa	
0 ... 6	0 ... 300
0 ... 10	0 ... 400
0 ... 16	0 ... 600
0 ... 25	0 ... 700
0 ... 40	0 ... 800
0 ... 60	0 ... 1,000
0 ... 70	0 ... 1,400
0 ... 100	0 ... 1,600
0 ... 160	0 ... 2,500
0 ... 200	0 ... 3,000
0 ... 250	0 ... 4,000

## Vacuum and compound scale ranges

mbar	
-60 ... 0	-10 ... +50
-100 ... 0	-20 ... +80
-160 ... 0	-40 ... +120
-250 ... 0	-50 ... +50
-400 ... 0	-50 ... +200
-600 ... 0	-80 ... +80
-1,000 ... 0	-100 ... +150
-1,100 ... 0	-200 ... +600
-1,200 ... 0	-500 ... +500

bar	
-0.6 ... 0	-1 ... +5
-1 ... 0	-1 ... +7
-1 ... +1	-1 ... +9
-1 ... +1.5	-1 ... +10
-1 ... +2	-1 ... +15
-1 ... +3	-1 ... +24
-1 ... +4	-1 ... +30

psi	
-15 ... 0 inHg	-30 inHg ... +100
-30 ... 0 inHg	-30 inHg ... +160
-30 inHg ... +15	-30 inHg ... +200
-30 inHg ... +30	-30 inHg ... +300
-30 inHg ... +60	

kPa	
-60 ... 0	-100 ... +200
-100 ... 0	-100 ... +300
-2 ... +4	-100 ... +400
-4 ... +6	-100 ... +500
-6 ... +10	-100 ... +700
-10 ... +15	-100 ... +900
-15 ... +15	-100 ... +1,000
-100 ... +100	-100 ... +1,500
-100 ... +150	-100 ... +2,400

Other scale ranges on request

Further details on: scale ranges		
<b>Unit</b>	<input type="checkbox"/> mbar <input type="checkbox"/> bar <input type="checkbox"/> psi <input type="checkbox"/> kPa <input type="checkbox"/> MPa	<input type="checkbox"/> mmH <sub>2</sub> O <input type="checkbox"/> inH <sub>2</sub> O <input type="checkbox"/> kg/cm <sup>2</sup> <input type="checkbox"/> oz/cm <sup>2</sup>
Other units on request		
<b>Overload safety and max. working pressure (static pressure)</b>		
Pressure ratings PN 40 ... PN 400	Max. 40, 100, 250 or 400 bar [580, 1,450, 3,625 or 5,800 psi] On one, both and alternatingly on the ⊕ and ⊖ sides	
Pressure rating PN 650	Max. 400 bar [5,800 psi] on one side and alternatingly on the ⊕ and ⊖ sides Max. 650 bar [9,425 psi] on both sides on the ⊕ and ⊖ sides	
<b>Dial</b>		
Scale layout	<input type="checkbox"/> Single scale <input type="checkbox"/> Dual scale	
Scale colour	Single scale	Black
	Dual scale	Black/red
Material	Aluminium	
Customer-specific version	<input type="checkbox"/> Without <input type="checkbox"/> With special scale, e.g. linear pressure or square root incrementation Other scales, e.g. with red mark, circular arcs or circular sectors, on request → Alternatively, adhesive label set for red and green circular arcs; see data sheet AC 08.03	
<b>Pointer</b>		
Instrument pointer	With case filling	Standard pointer, aluminium, black
	Without case filling	Adjustable pointer, aluminium, black
Mark pointer/drag pointer	<input type="checkbox"/> Without <input type="checkbox"/> Mark pointer on bayonet ring, adjustable	
Pointer stop pin	<input type="checkbox"/> Without <input type="checkbox"/> At 6 o'clock	

Process connection	
<b>Standard</b>	<ul style="list-style-type: none"> <li>■ EN 837-1</li> <li>■ ANSI/B1.20.1</li> <li>■ EN 61518</li> </ul> <p>→ For valve manifolds for an instrument hook-up, see "Accessories and spare parts".</p>
<b>Size</b>	
EN 837-1	<ul style="list-style-type: none"> <li>■ 2 x G ½, female thread</li> <li>■ 2 x G ½ B, male thread</li> </ul>
ANSI/B1.20.1	2 x ½ NPT, male thread
EN 61518	Flange with differential pressure connection
<b>Restrictor</b>	<ul style="list-style-type: none"> <li>■ Without</li> <li>■ Ø 0.6 mm [0.024"], stainless steel</li> <li>■ Ø 0.3 mm [0.012"], stainless steel</li> </ul>

Other process connections on request

Material		
<b>Material (wetted)</b>		
Measuring flanges with process connection	Model 732.14 and 733.14	<ul style="list-style-type: none"> <li>■ Stainless steel 316L</li> <li>■ Hastelloy C276</li> </ul>
	Model 762.14 and 763.14	Monel 2.4360
Sealing	FPM/FKM Other materials on request	
Venting of the media chambers	Model 732.14 and 733.14	<ul style="list-style-type: none"> <li>■ Stainless steel 316L</li> <li>■ Hastelloy C276</li> </ul>
	Model 762.14 and 763.14	Monel 2.4360
Diaphragm element, model 732.14 and 733.14	Span ≤ 0.25 bar [3.63 psi]	<ul style="list-style-type: none"> <li>■ Stainless steel 316L</li> <li>■ Hastelloy C276</li> </ul>
	Span > 0.25 bar [3.63 psi]	<ul style="list-style-type: none"> <li>■ Stainless steel 316L</li> <li>■ NiCr alloy (Inconel)</li> <li>■ Hastelloy C276</li> </ul>
Diaphragm element, model 762.14 and 763.14	<ul style="list-style-type: none"> <li>■ Monel 2.4360</li> <li>■ Hastelloy C276</li> </ul>	
<b>Material (in contact with the environment)</b>		
Flange connecting screws	PN 40 ... PN 100	Stainless steel
	PN 250 ... PN 650	Steel, corrosion-protected
Measuring chamber	Stainless steel, stainless steel/Monel, stainless steel/Hastelloy C276	
Case	Stainless steel, safety level "S1" per EN 837: With blow-out device	
Movement, bayonet ring	Stainless steel	
Dial	Aluminium, white, black lettering	
Window	<ul style="list-style-type: none"> <li>■ Laminated safety glass</li> <li>■ Polycarbonate</li> </ul>	

Operating conditions	
<b>Medium temperature range</b>	<ul style="list-style-type: none"> <li>■ -20 ... 100 °C [-4 ... +212 °F]</li> <li>■ +200 °C [+392 °F] maximum</li> </ul>
<b>Ambient temperature range</b>	<ul style="list-style-type: none"> <li>■ -20 ... +60 °C [-4 ... +140 °F]</li> <li>■ -40 ... +60 °C [-40 ... +140 °F] <sup>1)</sup></li> </ul>
<b>Storage temperature range</b>	-20 ... +60 °C [-4 ... 140 °F]
<b>Pressure limitation</b>	
Steady	Full scale value
Fluctuating	0.9 x full scale value
<b>Ingress protection per IEC/EN 60529</b>	<ul style="list-style-type: none"> <li>■ IP54</li> <li>■ IP65 <sup>2)</sup></li> <li>■ IP66 (application test required)</li> </ul>

1) Only selectable in combination with silicone oil case filling

2) Ingress protection IP65 for instruments with case filling

## Other versions


- Oil- and grease-free
- Oil- and grease-free for oxygen
- For hydrogen <sup>1)</sup>
- Silicone-free
- Per NACE <sup>2)</sup> MR 0175 / ISO 15156, use in H<sub>2</sub>S-containing environments in oil and gas production
- Per NACE <sup>2)</sup> MR 0103 / ISO 17945, metals resistant to sulfide stress cracking
- With pre-volume deflagration flame arrester <sup>3)</sup> for connection to zone 0 (EPL Ga); model 910.21; see data sheet AC 91.02
- Differential pressure gauge with switch contacts, high overload safety, model DPGS43HP; see data sheet PV 27.13
- Differential pressure gauge with electrical output signal, high overload safety, model DPGT43HP ; see data sheet PV 17.13

1) Only with gold-plated diaphragm element and application-specific test







2) General information about NACE standards, see data sheet IN 00.21

3) Only for instruments with Ex approval

## Approvals

Logo	Description	Region
	<b>EU declaration of conformity</b>	European Union
	Pressure equipment directive PS > 200 bar, module A, pressure accessory	

### Optional approvals

Logo	Description	Region
 	<b>EU declaration of conformity</b>	European Union
	ATEX directive Hazardous areas Gas II 2G Ex h IIC T6 ... T1 Gb X Dust II 2D Ex h IIIC T85 °C T450 °C Db X	
	<b>EAC</b> Hazardous areas	Eurasian Economic Community
	<b>Ex Ukraine</b> Hazardous areas	Ukraine
	<b>PAC Kazakhstan</b> Metrology, measurement technology	Kazakhstan
-	<b>MChS</b> Permission for commissioning	Kazakhstan
	<b>PAC Ukraine</b> Metrology, measurement technology	Ukraine
-	<b>PAC China</b> Metrology, measurement technology	China
-	<b>CRN</b> Safety (e.g. electr. safety, overpressure, ...)	Canada

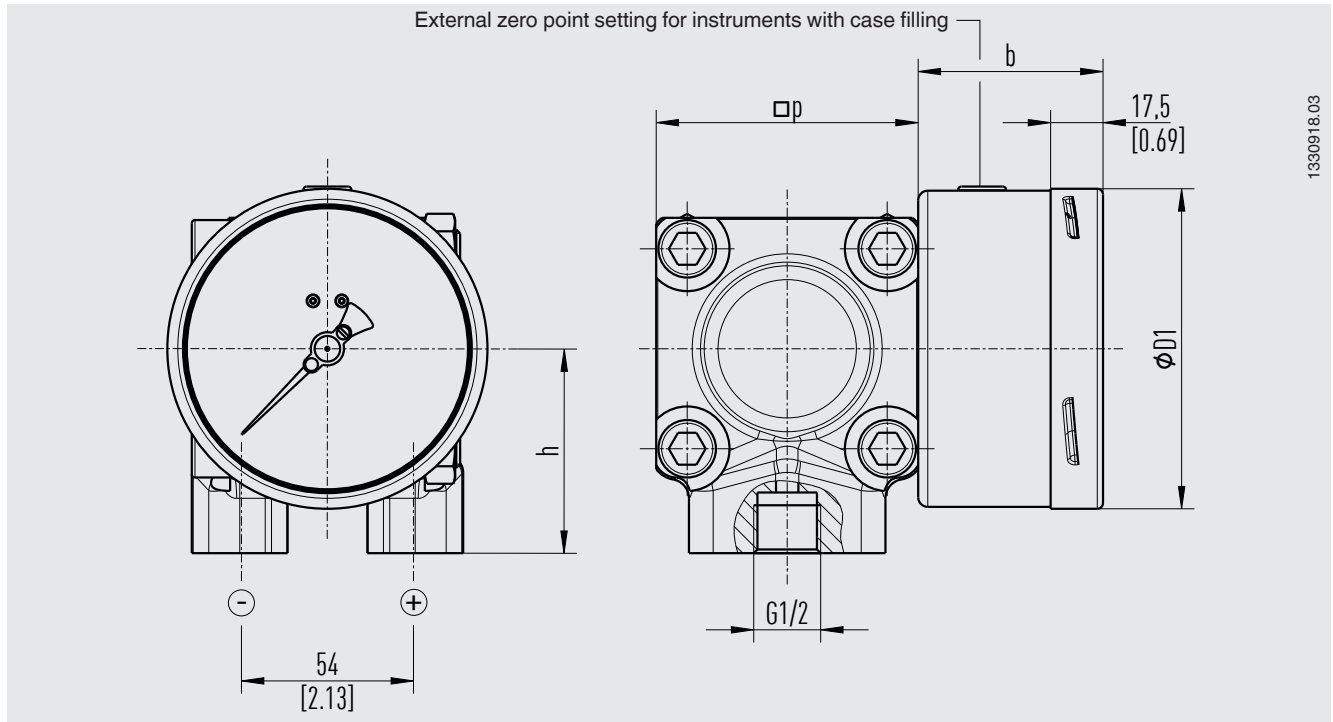
## Certificates (option)

Certificates	
<b>Certificates</b>	<ul style="list-style-type: none"> <li>■ 2.2 test report per EN 10204 (e.g. state-of-the-art manufacturing, indication accuracy)</li> <li>■ 3.1 inspection certificate per EN 10204 (e.g. material proof for wetted metal parts, indication accuracy)</li> </ul>
<b>Recommended calibration interval</b>	1 year (dependent on conditions of use)

→ For approvals and certificates, see website

## Dimensions in mm [in]

Process connection: 2 x G 1/2, female thread



1330918.03

### Pressure ratings PN 40 ... PN 100

NS	Scale range <sup>1)</sup>	Dimensions in mm [in]				Weight in kg [lb]	
		b	D <sub>1</sub>	h ±1	p □	Unfilled	Filled
100 [4"]	≤ 0.16 bar [2.3 psi]	58.5 [2.3]	101 [4.0]	86 [3.4]	140 [5.5]	12.1 [26.7]	12.7 [28]
	≥ 0.25 bar [3.6 psi]	58.5 [2.3]	101 [4.0]	64 [2.5]	82 [3.2]	3.6 [7.9]	4.2 [9.3]
160 [6"]	≤ 0.16 bar [2.3 psi]	65.5 [2.6]	161 [6.3]	86 [3.4]	140 [5.5]	12.5 [27.6]	14.2 [31.1]
	≥ 0.25 bar [3.6 psi]	65.5 [2.6]	161 [6.3]	64 [2.5]	82 [3.2]	4 [8.8]	5.7 [12.6]

1) The dimensions of customer-specific scale ranges which are between 0.16 bar [2.3 psi] and 0.25 bar [3.6 psi] are defined after an application-specific test.

### Pressure rating PN 250






NS	Scale range <sup>1)</sup>	Dimensions in mm [in]				Weight in kg [lb]	
		b	D <sub>1</sub>	h ±1	p □	Unfilled	Filled
100 [4"]	≤ 0.25 bar [3.6 psi]	58.5 [2.3]	101 [4.0]	86 [3.4]	140 [5.5]	13.1 [28.9]	13.7 [30.2]
	≥ 0.4 bar [5.8 psi]	58.5 [2.3]	101 [4.0]	64 [2.5]	82 [3.2]	3.9 [8.6]	4.5 [9.9]
160 [6"]	≤ 0.25 bar [3.6 psi]	65.5 [2.6]	161 [6.3]	86 [3.4]	140 [5.5]	13.5 [29.8]	15.2 [33.5]
	≥ 0.4 bar [5.8 psi]	65.5 [2.6]	161 [6.3]	64 [2.5]	82 [3.2]	4.3 [9.5]	6 [13.2]

1) The dimensions of customer-specific scale ranges which are between 0.25 bar [3.6 psi] and 0.4 bar [5.8 psi] are defined after an application-specific test.

### Pressure ratings PN 400 ... PN 650

NS	Dimensions in mm [in]				Weight in kg [lb]	
	b	D <sub>1</sub>	h ±1	p □	Unfilled	Filled
100 [4"]	58.5 [2.3]	101 [4.0]	64 [2.5]	86 [3.4]	4.5 [9.9]	5.1 [11.2]
160 [6"]	65.5 [2.6]	161 [6.3]	64 [2.5]	86 [3.4]	4.9 [10.8]	6.6 [14.6]

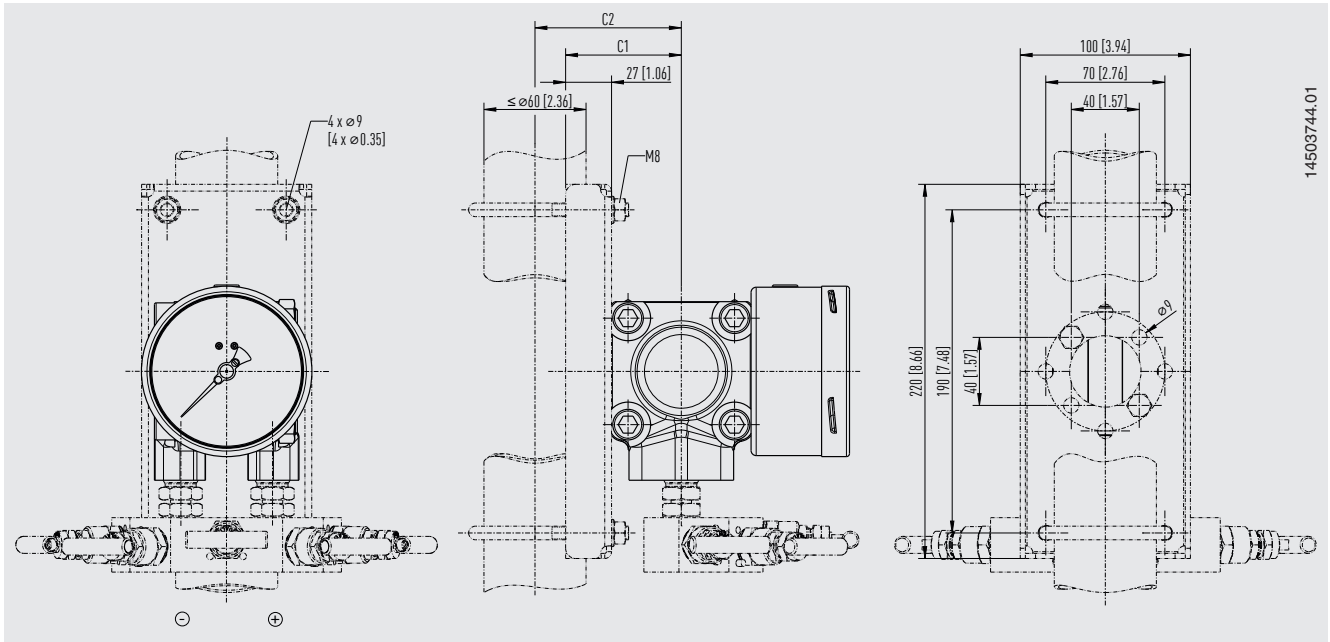
## Accessories and spare parts

Model	Description	Order number
	<b>910.33</b> Adhesive label set for red and green circular arcs → See data sheet AC 08.03	-
	NS 100 [4"]	14238945
	NS 160 [6"]	14228352
	<b>910.17</b> Sealings → See data sheet AC 09.08	On request
	<b>910.13</b> Overpressure protector → See data sheet AC 09.04	On request
	<b>IV315</b> 3-valve manifold Process connection / instrument connection: 2 x G 1/2, male thread / 2 x G 1/2, pressure screw	81640945
	3-valve manifold Process connection / instrument connection: 2 x 1/2 NPT, male thread / 2 x G 1/2, pressure screw	36709683
	<b>IV515</b> 5-valve manifold Process connection / instrument connection / vent connection: 2 x G 1/2, male thread / 2 x G 1/2, pressure screw / 2 x G 1/4, female thread	83141757
	5-valve manifold Process connection / instrument connection / vent connection: 2 x 1/2 NPT, male thread / 2 x G 1/2, pressure screw / 2 x G 1/4, female thread	84050640
	Valve manifolds for differential pressure measuring instruments → See data sheet AC 09.23	On request
-	Instrument mounting bracket for wall or pipe mounting Steel, silver painted	2393340
	Instrument mounting bracket for wall or pipe mounting Stainless steel	2094941

## Accessories

### Dimensions in mm [in]

Representation with mounting bracket for wall or pipe mounting and fitted 5-valve manifold



#### Pressure ratings PN 40 ... PN 100

NS	Scale range <sup>1)</sup>	Dimensions in mm [in]	
		C1	C2
100 [4"]	≤ 0.16 bar [2.3 psi]	97 [3.82]	115 [4.53]
	≥ 0.25 bar [3.6 psi]	68 [2.68]	86 [3.39]
160 [6"]	≤ 0.16 bar [2.3 psi]	97 [3.82]	115 [4.53]
	≥ 0.25 bar [3.6 psi]	68 [2.68]	86 [3.39]

<sup>1)</sup> The dimensions of customer-specific scale ranges which are between 0.16 bar [2.3 psi] and 0.25 bar [3.6 psi] are defined after an application-specific test.

#### Pressure rating PN 250

NS	Scale range <sup>1)</sup>	Dimensions in mm [in]	
		C1	C2
100 [4"]	≤ 0.25 bar [3.6 psi]	97 [3.82]	115 [4.53]
	≥ 0.4 bar [5.8 psi]	68 [2.68]	86 [3.39]
160 [6"]	≤ 0.25 bar [3.6 psi]	97 [3.82]	115 [4.53]
	≥ 0.4 bar [5.8 psi]	68 [2.68]	86 [3.39]

<sup>1)</sup> The dimensions of customer-specific scale ranges which are between 0.25 bar [3.6 psi] and 0.4 bar [5.8 psi] are defined after an application-specific test.

#### Pressure ratings PN 400 ... PN 650

NS	Dimensions in mm [in]	
	C1	C2
100 [4"]	70 [2.76]	88 [3.46]
160 [6"]	70 [2.76]	88 [3.46]

### Ordering information

Model / Nominal size / Scale range / Scale layout (linear pressure or square root incrementation) / Max. working pressure (static pressure) ... bar / Process connection / Connection location / Options



© 10/2008 WIKA Alexander Wiegand SE & Co. KG, all rights reserved.  
The specifications given in this document represent the state of engineering at the time of publishing.  
We reserve the right to make modifications to the specifications and materials.  
In case of a different interpretation of the translated and the English data sheet, the English wording shall prevail.

